

● **CVR-150: Full Isolated 5 Port RS485 Hub**



Order Information:

Model No.: CVR-150

● **FEATURES**

- 5 個 RS485 Port，每一個 RS485 通信埠間的資料自動互傳，形成一個 RS485 Hub
- 鮑率可高達 921.6Kbps,
- RS485 為半双工通信模式
- 電源隔離及 RS485 全隔離
- 鮑率設定使用 Browser 或 是設定工具，每一 RS485 可使用不同鮑率
- 供應電源為 DC24V，平均消耗功率約為 1W
- 星狀 RS485

● **APPLICATIONS**

- RS485 Repeater or Hub
- Data collection & security terminals:
- Access Control Terminals
- Security Devices
- Time Recorders
- Warehouse Terminals
- Shop floor automation Terminals
- Remote Sensors & Meters:
- Power monitors
- Power meters
- Environmental monitors
- Temperature monitors
- Data loggers
- Auto-ID Scanners:
- Barcode Scanners
- Magnetic Card Readers

● **GENERAL DESCRIPTIONS**

CVR series, including CVR-100, CVR-100I, CVR-110, CVR-200, CVR-200I, CVR-150 and other products are signal converters between RS232, RS422, RS485 physical signals, of which CVR-100 is non- Isolated RS232 to RS485/RS422 signal converter, CVR-100I is isolated RS232 to RS485/RS422 signal converter, CVR-110 is RS485/RS422 signal repeater, CVR-200 is non-isolated USB to RS232 /RS485/RS422 signal converter, CVR-200I is isolated USB to RS232/RS485/RS422 signal converter, CVR-150 is isolated 5Port RS485 repeater, CVR series is suitable for all industrial control, data collection , card readers and other applications.

The CVR-150 has a built-in CortexM3 processor. The RS485 trunk mode is Store and Forward mode, and the signal is not distorted. This is a feature of the CVR-150.

● **SPECIFICATION**

• **Serial Interface**

Number of Ports	5
Serial Standards	RS485
Connectors	Terminal Block
ESD Protection	15 kV for all signals
RS-485 Data Direction Control	automatic data direction control

• **Serial Communication Parameters**

Data Bits	7, 8
Stop Bits	1, 2
Parity	None, Even, Odd, Space, Mark
Flow Control	-
Baud rate	300 bps to 921.6 kbps, option to 50 bps ~ 921.6 kbps

• **Serial Signals**

RS-232	-
RS-422	-
RS-485-2w	Data+, Data-

• **Software**

Configuration Options	HTTP Web Console, Windows Setup Utility
Utilities	Setup Utility for Windows

• **Physical Characteristics**

Housing	PC ,
Weight	300 g
Dimensions	Without ears: 33 x 80 x 102 mm With ears: 33 x 94 x 102 mm

**• Environmental Limits**

Operating Temperature	0 to 60°C (32 to 140°F)
Storage Temperature	-40 to 85 °C (-40 to 185°F)
Ambient Relative Humidity	5 to 95% (non-condensing)
Altitude	Up to 2000 m (795 hPa), higher altitudes on demand
Note	

**• Power Requirements**

Input Voltage	12 to 30 VDC, No Polarity
Power Connector	Terminal block
Power Consumption	110 mA @ DC24V
Isolation	2KV

**• Standards and Certifications**

EMC	CE
-----	----

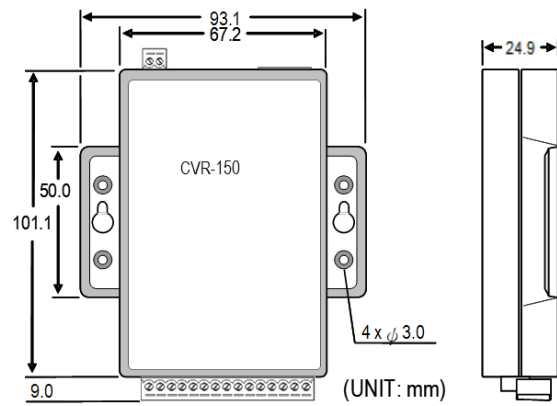
**• Reliability**

MTBF (mean time between failures)	
-----------------------------------	--

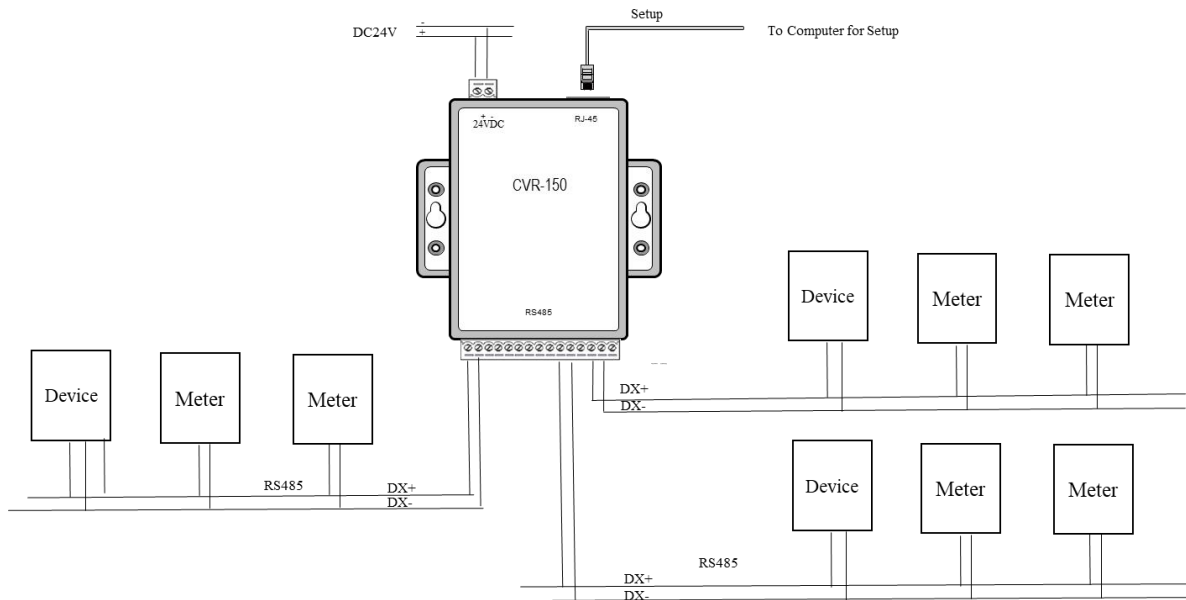
**• Warranty**

Warranty Period	1 year
Details	See <a href="http://www.infosystem.com.tw">http://www.infosystem.com.tw</a>

● Dimension



● Connection



● Configuration

Web Browser or Setup tool

● Installation

Wall Mount

Din Rail (Optional Din Rail Kit)