

● **DMX-G511: 1 Port ArtNet to DMX RS485 Gateway, Modbus TCP/RTU to DMX RS485 Gateway**



Order Information:

Model No.: DMX-G511

● **FEATURES**

➤ **Protocol Support**

ArtNet to DMX RS485  
Modbus TCP to DMX RS485  
Modbus RTU to DMX RS485  
ARP, ICMP, TCP, UDP, IP, DHCP Client,  
HTTP,SNMP(Optional),SNTP(Optional)

➤ **ArtNet Protocol** (Partial)

ID : Art-Net  
Operation Code: ArtNet DMX (0x5000)  
Protocol Version: 14  
Physical: 0  
Universe: 1~65535

➤ **DMX RS485**

1~512 Channels  
Selectable DMX Output Start Address

➤ **Support Interface**

RJ-45 Port x1, 10/100Mbps, 2KV, auto MDI/MDIX  
RS-485 x 2

➤ **Setting**

Use HTTP, Browser for Setting

➤ **Security**

Setup Login in Password Protect  
Access Password Protect  
Firmware Upgradeable  
Support New Version Firmware Upgradeable

➤ **Low Power Consumption**

Less than 2W Power Consumption

➤ **Multi Sockets**

Support Multi Sockets and HTTP  
All protocol working Independent and concurrently

➤ **High Reliability**

RTOS inside, Build in Watchdog, Power Good, Software Watchdog  
Working 24Hours per day

➤ **APPLICATIONS**

ArtNet to DMX RS485  
Modbus TCP to DMX RS485  
Modbus RTU to DMX RS485

● **GENERAL DESCRIPTIONS**

The DMX-G511 provides ArtNet or Modbus TCP to DMX485 signal functions. DMX-G511 uses the ARM Cortex M3's family microprocessor as the ArtNet to DMX485 with limit devices. It can provide you lower cost, but limited functions TCP/IP stack. DMX-G51x series are using the state machine to handle TCP/IP stack because of the limit resources.

DMX-G511 is a small size; low cost module is easy to implement an application in DMX lighting system. DMX-G511 supports the ARP, ICMP, TCP, UDP, IP, DHCP-Client and HTTP protocols, also support SNMP (Optional), SNTP(Optional). You can use the browser to setting parameters of the DMX-G511, or you can use the commands to setting parameters of the DMX-G511 series Web Server. It is easy to management in Individual or via Application software.

● **SPECIFICATION**

• **Ethernet Interface**

Protocol	ARTNET, DMX485, Modbus TCP
Number of Ports	1
Speed	10/100 Mbps, Auto MDI/MDIX
Connector	8-pin RJ45
Transformer Isolation Protection	1500Vrms

• **Serial Interface**

Protocol	Modbus RTU/ASCII Slave/Master
Number of Ports	1
Serial Standards	DMX485
Connectors	DB9 male, Terminal Block
ESD Protection	15 kV for all signals
RS-485 Data Direction Control	automatic data direction control

• **Serial Communication Parameters**

Data Bits	8
Stop Bits	1
Parity	None
Flow Control	-
Baud rate	250kbps

• **Serial Signals**

RS-232	-
RS-422	-
RS-485-2w	Data+, Data-

• **Software**

Configuration Options	HTTP Web Console, Windows Setup Utility
-----------------------	---

Utilities	Setup Utility for Windows
-----------	---------------------------

**• Physical Characteristics**

Housing	PC ,
---------	------

Weight	300 g
--------	-------

Dimensions	Without ears:
	33 x 80 x 102 mm
	With ears:
	33 x 94 x 102 mm

**• Environmental Limits**

Operating Temperature	0 to 60°C (32 to 140°F)
-----------------------	-------------------------

Storage Temperature	-40 to 85 °C (-40 to 185°F)
---------------------	-----------------------------

Ambient Relative Humidity	5 to 95% (non-condensing)
---------------------------	---------------------------

Altitude	Up to 2000 m (795 hPa), higher altitudes on demand
----------	--

Note	
------	--

**• Power Requirements**

Input Voltage	12 to 30 VDC, No Polarity
---------------	---------------------------

Power Connector	Terminal block
-----------------	----------------

Power Consumption	110 mA @ DC24V
-------------------	----------------

Isolation	2KV
-----------	-----

**• Standards and Certifications**

EMC	CE
-----	----

**• Reliability**

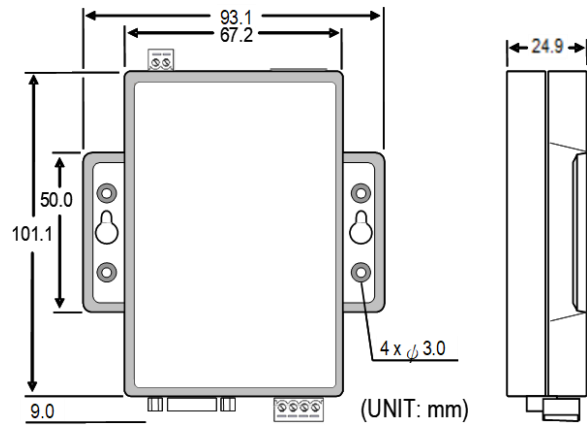
MTBF (mean time between failures)	
-----------------------------------	--

**• Warranty**

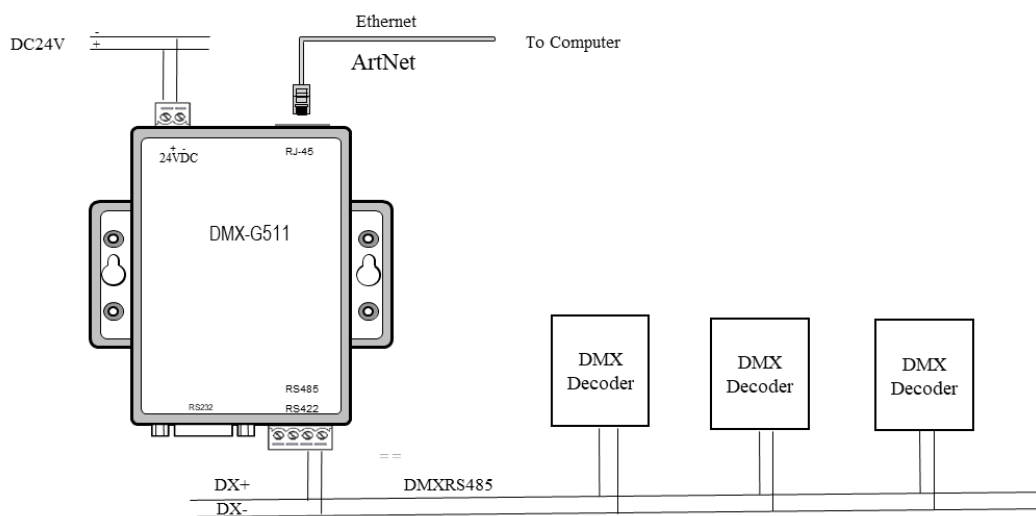
Warranty Period	1 year
-----------------	--------

Details	See <a href="http://www.infosystem.com.tw">http://www.infosystem.com.tw</a>
---------	---

**● Dimension**



● **Connection**



● **Configuration**

Web Browser or Setup tool

● **Installation**

Wall Mount

Din Rail (Optional Din Rail Kit)