

● **EIO-D-202ML: 2DI / 16DO Ethernet I/O Module**



Order Information:

Model No.: EIO-D-202ML

● **FEATURES**

➤ **Protocol Support**

ARP, ICMP, TCP, UDP, IP, DHCP Client,
HTTP,SNMP(Optional),SNTP(Optional)
Modbus TCP

➤ **Support Interface**

RJ-45 Port x1, 10/100Mbps, 2KV, auto MDI/MDIX
2DI : Sink Type, Photo coupler Isolation
16DO: Open Collector 0.5A, Photo coupler Isolation

➤ **Setting**

Use HTTP, Browser for Setting

➤ **Security**

Setup Login in Password Protect
Access Password Protect
Firmware Upgradeable
Support New Version Firmware Upgradeable

➤ **Low Power Consumption**

Less than 2W Power Consumption

➤ **Multi Sockets**

Support Multit Sockets and HTTP
All protocol working Independent and concurrently

➤ **High Reliability**

RTOS inside, Build in Watchdog, Power Good, Software Watchdog
Working 24Hours per day

➤ **Low Cost**

● **GENERAL DESCRIPTIONS**

EIO-D-2xx Series, included EIO-D-210ML, EIO-D-218ML, EIO-D-302ML, , are the Ethernet I/O using the ARM Cortex M3's family microprocessor as the Ethernet controller to be a Ethernet I/O controller with limit devices. It can provide you lower cost, but limited functions TCP/IP stack. EIO-D-2xx series are using the RTOS to handle TCP/IP stack because of the limit resources. EIO-D-2x is a small size and low cost module is easy to implement an application in IA, Automatic, Security and any low data rate data transmit ion as a coprocessor. EIO-D-2xx supports the ARP, ICMP, TCP, UDP, IP, DHCP-Client and HTTP protocols, also support SNMP(Optional) , SNTP(Optional). You can use the browser to setting parameters of the EIO-D-2xx, or you can

● **APPLICATIONS**

Input Detector
Output Control
Lighting Control
Emergency Help Request System
Automatic Control
Machine Control
Alarm System
Security System

use the commands to setting parameters of the EIO-D-2xx series. It is easy to management in Individual or via Application software.

● **SPECIFICATION**

• **Digital Input**

Input Type	Sink Type, for Dry Contact
Number of Input	2
Input Low	0~3VDC
Input High	5~30VDC
Photo Coupler Isolation Protection	3750Vrms or 5000Vrms

• **Digital Output**

Output Type	Open Collector
Number of Output	16
Maximum Voltage	50VDC
Maximum Current	500mA
Photo Coupler Isolation Protection	3750Vrms or 5000Vrms

• **Ethernet Interface**

Protocol	Modbus TCP
Number of Ports	1
Speed	10/100 Mbps, Auto MDI/MDIX
Connector	8-pin RJ45
Transformer Isolation Protection	1500Vrms

• **Software**

Configuration Options	HTTP Web Console, Windows Setup Utility
Utilities	Setup Utility for Windows

• **Physical Characteristics**

Housing	PC ,
---------	------

Weight	300 g
Dimensions	Without ears: 25 x 80 x 102 mm
	With ears: 25 x 94 x 102 mm

• Environmental Limits

Operating Temperature	0 to 60°C (32 to 140°F)
Storage Temperature	-40 to 85 °C (-40 to 185°F)
Ambient Relative Humidity	5 to 95% (non-condensing)
Altitude	Up to 2000 m (795 hPa), higher altitudes on demand

Note

• Power Requirements

Input Voltage	12 to 30 VDC, No Polarity
Power Connector	Terminal block
Power Consumption	100 mA @ DC24V
Isolation	1500Vrms

• Standards and Certifications

EMC	CE
-----	----

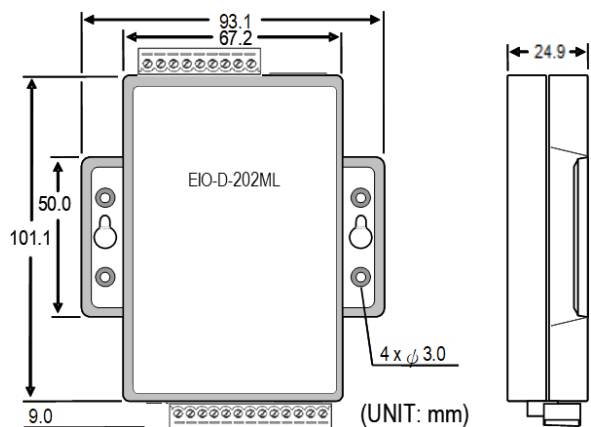
• Reliability

MTBF (mean time between failures)

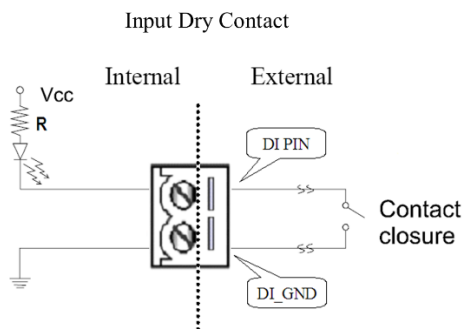
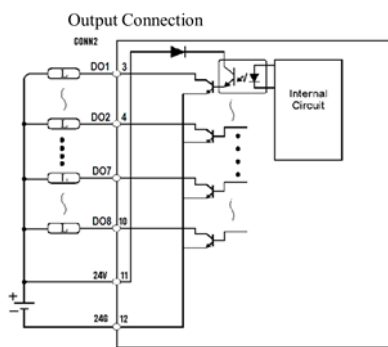
• Warranty

Warranty Period	1 year
Details	See http://www.infosystem.com.tw

● Dimension



● Connection



● Configuration

Web Browser or Setup tool

● Installation

Wall Mount

Din Rail (Optional Din Rail Kit)