

## ● EIO-D-210ML: 10DI / 8DO Ethernet I/O Module



Order Information:

Model No.: EIO-D-210ML

## ● FEATURES

### ➤ Protocol Support

ARP, ICMP, TCP, UDP, IP, DHCP Client,  
HTTP,SNMP(Optional),SNTP(Optional)  
Modbus TCP

### ➤ Support Interface

RJ-45 Port x1, 10/100Mbps, 2KV, auto MDI/MDIX  
10DI : Sink Type, Photo coupler Isolation  
8FO: Open Collector 0.5A, Photo coupler Isolation

### ➤ Setting

Use HTTP, Browser for Setting

### ➤ Security

Setup Login in Password Protect  
Access Password Protect  
Firmware Upgradeable  
Support New Version Firmware Upgradeable

### ➤ Low Power Consumption

Less than 2W Power Consumption

### ➤ Multi Sockets

Support Multit Sockets and HTTP  
All protocol working Independent and concurrently

### ➤ High Reliability

RTOS inside, Build in Watchdog, Power Good, Software Watchdog  
Working 24Hours per day

### ➤ Low Cost

## ● APPLICATIONS

Input Detector  
Output Control  
Lighting Control  
Emergency Help Request System  
Automatic Control  
Machine Control  
Alarm System  
Security System

## ● GENERAL DESCRIPTIONS

EIO-D-2xx Series, included EIO-D-210ML, EIO-D-218ML, EIO-D-302ML, , are the Ethernet I/O using the ARM Cortex M3's family microprocessor as the Ethernet controller to be a Ethernet I/O controller with limit devices. It can provide you lower cost, but limited functions TCP/IP stack. EIO-D-2xx series are using the RTOS to handle TCP/IP stack because of the limit resources. EIO-D-2x is a small size and low cost module is easy to implement an application in IA, Automatic, Security and any low data rate data transmit ion as a coprocessor. EIO-D-2xx supports the ARP, ICMP, TCP, UDP, IP, DHCP-Client and HTTP protocols, also support SNMP(Optional) , SNTP(Optional). You can use the browser to setting parameters of the EIO-D-2xx, or you can

use the commands to setting parameters of the EIO-D-2xx series. It is easy to management in Individual or via Application software.

● **SPECIFICATION**

• **Digital Input**

Input Type	Sink Type, for Dry Contact
Number of Input	10
Input Low	0~3VDC
Input High	5~30VDC
Photo Coupler Isolation Protection	3750Vrms or 5000Vrms

• **Digital Output**

Output Type	Open Collector
Number of Output	8
Maximum Voltage	50VDC
Maximum Current	500mA
Photo Coupler Isolation Protection	3750Vrms or 5000Vrms

• **Ethernet Interface**

Protocol	Modbus TCP
Number of Ports	1
Speed	10/100 Mbps, Auto MDI/MDIX
Connector	8-pin RJ45
Transformer Isolation Protection	1500Vrms

• **Software**

Configuration Options	HTTP Web Console, Windows Setup Utility
Utilities	Setup Utility for Windows

• **Physical Characteristics**

Housing	PC ,
---------	------

Weight	300 g
Dimensions	Without ears:
	25 x 80 x 102 mm
	With ears:
	25 x 94 x 102 mm

**• Environmental Limits**

Operating Temperature	0 to 60°C (32 to 140°F)
Storage Temperature	-40 to 85 °C (-40 to 185°F)
Ambient Relative Humidity	5 to 95% (non-condensing)
Altitude	Up to 2000 m (795 hPa), higher altitudes on demand

Note

**• Power Requirements**

Input Voltage	12 to 30 VDC, No Polarity
Power Connector	Terminal block
Power Consumption	100 mA @ DC24V
Isolation	1500Vrms

**• Standards and Certifications**

EMC	CE
-----	----

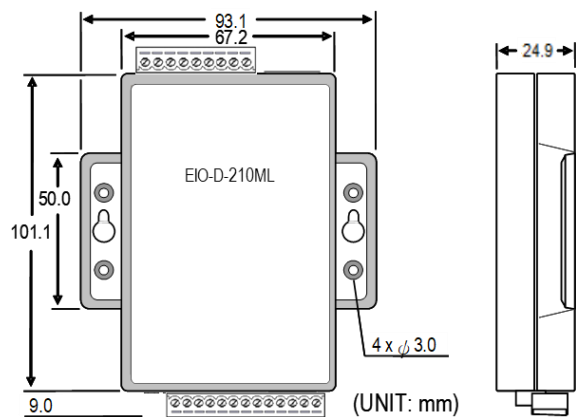
**• Reliability**

MTBF (mean time between failures)

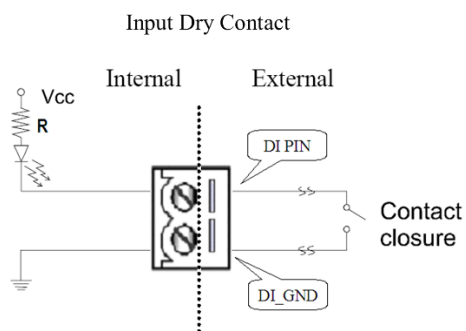
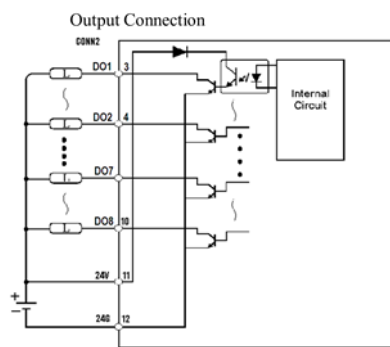
**• Warranty**

Warranty Period	1 year
Details	See <a href="http://www.infosystem.com.tw">http://www.infosystem.com.tw</a>

● **Dimension**



● **Connection**



● **Configuration**

Web Browser or Setup tool

● **Installation**

Wall Mount

Din Rail (Optional Din Rail Kit)