

● LoadCell-12: RS232/RS485 Load Cell to TCP Modbus Gateway



Order Information:
Model No.: LoadCell-12

● FEATURES

➤ Protocol Support

ARP, ICMP, TCP, UDP, IP, DHCP Client,
HTTP,SNMP(Optional),SNTP(Optional), Modbus TCP, Modbus RTU

➤ Support Interface

RJ-45 Port x1, 10/100Mbps, 2KV, auto MDI/MDIX
RS-232 Port x1 up to 921.6Kbps, RTS/CTS H/W low control *
RS-485/RS-422 x1, up to 921.6Kbps ,Half Duplex for RS485, Full Duplex
for RS-422 *

➤ Setting

Use HTTP, Browser for Setting

➤ Security

Setup Login in Password Protect
Access Password Protect
Firmware Upgradeable
Support New Version Firmware Upgradeable

➤ Low Power Consumption

Less than 2W Power Consumption

➤ Multi Sockets

Support Multit Sockets and HTTP
All protocol working Independent and concurrently

➤ High Reliability

RTOS inside, Build in Watchdog, Power Good, Software Watchdog
Working 24Hours per day

➤ Low Cost

● GENERAL DESCRIPTIONS

WS-130 Series, included WS-131, WS-132, WS-133, WS-131B, WS-132B, WS-133B, are the Web Server using the ARM Cortex M3's family microprocessor as the Ethernet controller to be a RS232 to Ethernet controller with limit devices. It can provide you lower cost, but limited functions TCP/IP stack. WS-130 series are using the state machine to handle TCP/IP stack because of the limit resources.

WS-130 is a small size and low cost module is easy to implement an application in IA, Automatic, Security and any low data rate data transmit ion as a coprocessor. WS-130 supports the ARP, ICMP, TCP, UDP, IP, DHCP-Client and HTTP protocols, also support SNMP(Optional) , SNTP(Optional). You can use the browser to setting parameters of the WS-130, or you can use

● APPLICATIONS

Industrial 4.0 IoT
Load Cell IoT

the commands to setting parameters of the WS-130 series Web Server. It is easy to management in Individual or via Application software.

● **SPECIFICATION**

• **Ethernet Interface**

Protocol	Modbus TCP
Number of Ports	1
Speed	10/100 Mbps, Auto MDI/MDIX
Connector	8-pin RJ45
Transformer Isolation Protection	1500Vrms

• **Serial Interface**

Protocol	Modbus RTU/ASCII Slave/Master
Number of Ports	2
Serial Standards	RS232 x1, RS485-2w/422 x1 software selectable
Connectors	DB9 male, Terminal Block
ESD Protection	15 kV for all signals
RS-485 Data Direction Control	automatic data direction control

• **Serial Communication Parameters**

Data Bits	7, 8
Stop Bits	1, 2
Parity	None, Even, Odd, Space, Mark
Flow Control	RTS/CTS, DTR/DSR (RS-232 only)
Baud rate	300 bps to 921.6 kbps, option to 50 bps ~ 921.6 kbps

• **Serial Signals**

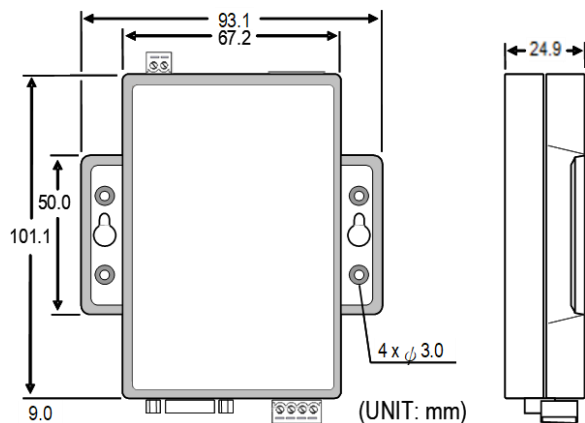
RS-232	TxD, RxD, RTS, CTS, DTR, DSR, DCD, GND
RS-485-2w	Data+, Data-

• **Software**

Configuration Options	HTTP Web Console, Windows Setup Utility
-----------------------	---

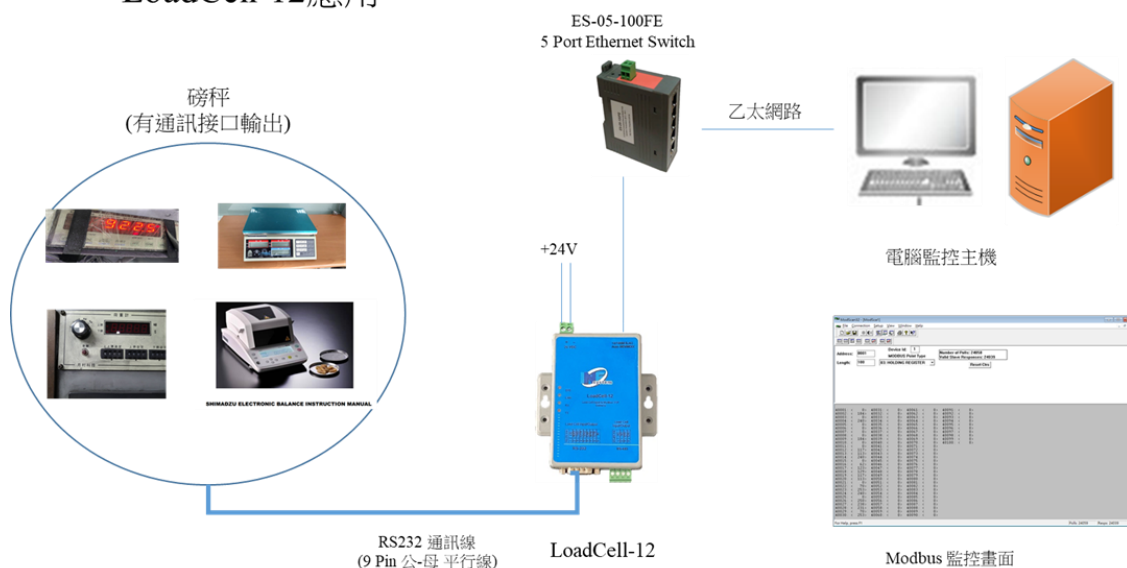
Utilities	Setup Utility for Windows
• Physical Characteristics	
Housing	PC ,
Weight	300 g
Dimensions	Without ears: 33 x 80 x 102 mm
	With ears: 33 x 94 x 102 mm
• Environmental Limits	
Operating Temperature	0 to 60°C (32 to 140°F)
Storage Temperature	-40 to 85 °C (-40 to 185°F)
Ambient Relative Humidity	5 to 95% (non-condensing)
Altitude	Up to 2000 m (795 hPa), higher altitudes on demand
Note	
• Power Requirements	
Input Voltage	12 to 30 VDC, No Polarity
Power Connector	Terminal block
Power Consumption	110 mA @ DC24V
Isolation	2KV
• Standards and Certifications	
EMC	CE
• Reliability	
MTBF (mean time between failures)	
• Warranty	
Warranty Period	1 year
Details	See http://www.infosystem.com.tw

● **Dimension**



● Connection

LoadCell-12應用



● Configuration

Web Browser or Setup tool

● Installation

Wall Mount

Din Rail (Optional Din Rail Kit)