

● M3271: 3 Port Serial to Ethernet Multiplexer Gateway, RS232x3



Order Information:

Model No.: M3271

● FEATURES

➤ Protocol Support

ARP, ICMP, TCP, UDP, IP, DHCP Client,

➤ Support Interface

RS-232 Port x3 up to 921.6Kbps,

➤ Setting

Use HTTP, Browser for Setting

➤ Security

Setup Login in Password Protect

Access Password Protect

Firmware Upgradeable

Support New Version Firmware Upgradeable

➤ Low Power Consumption

Less than 2W Power Consumption

➤ Multi Sockets

Support Multit Sockets, and HTTP

All protocol working Independent and concurrently

➤ High Reliability

RTOS inside, Build in Watchdog, Power Good, Software Watchdog

Working 24Hours per day

➤ Low Cost

● APPLICATIONS

PLC and GP Interface Multiplexer

IoT Data Collection

● GENERAL DESCRIPTIONS

M3271 is RS485 to Ethernet Multiplexer Gateway using the ARM Cortex M3's family microprocessor as the Ethernet controller to be a RS232 to Ethernet controller with limit devices. It can provide you lower cost, but limited functions TCP/IP stack. M3280 series are using the state machine to handle TCP/IP stack because of the limit resources.

M3280 is a small size and low cost module is easy to implement an application in IA, Automatic, Security and any low data rate data transmit ion as a coprocessor. M3280 supports the ARP, ICMP, TCP, UDP, IP, DHCP-Client and HTTP protocols, also support SNMP(Optional) , Sntp(Optional). You can use the browser to setting parameters of the M3280, or you can use the commands to setting parameters of the M3280 series Web Server. It is easy to management in Individual or via Application software.

● **SPECIFICATION**

• **Ethernet Interface**

Protocol	Modbus TCP
Number of Ports	1
Speed	10/100 Mbps, Auto MDI/MDIX
Connector	8-pin RJ45
Transformer Isolation Protection	1500Vrms

• **Serial Interface**

Protocol	Modbus RTU/ASCII Slave/Master
Number of Ports	3
Serial Standards	RS232 x3,
Connectors	Terminal Block
ESD Protection	15 kV for all signals
RS-485 Data Direction Control	automatic data direction control

• **Serial Communication Parameters**

Data Bits	7, 8
Stop Bits	1, 2
Parity	None, Even, Odd, Space, Mark
Flow Control	-
Baud rate	300 bps to 921.6 kbps, option to 50 bps ~ 921.6 kbps

• **Serial Signals**

RS-232	TxD, RxD, GND
RS-422	-
RS-485-2w	-

• **Software**

Configuration Options	HTTP Web Console, Windows Setup Utility
-----------------------	---

Utilities	Setup Utility for Windows
-----------	---------------------------

• Physical Characteristics

Housing	PC ,
---------	------

Weight	300 g
--------	-------

Dimensions	Without ears:
	33 x 80 x 102 mm
	With ears:
	33 x 94 x 102 mm

• Environmental Limits

Operating Temperature	-20 to 60°C
-----------------------	-------------

Storage Temperature	-40 to 85 °C (-40 to 185°F)
---------------------	-----------------------------

Ambient Relative Humidity	5 to 95% (non-condensing)
---------------------------	---------------------------

Altitude	Up to 2000 m (795 hPa), higher altitudes on demand
----------	--

Note	
------	--

• Power Requirements

Input Voltage	12 to 30 VDC, No Polarity
---------------	---------------------------

Power Connector	Terminal block
-----------------	----------------

Power Consumption	110 mA @ DC24V
-------------------	----------------

Isolation	2KV
-----------	-----

• Standards and Certifications

EMC	CE
-----	----

• Reliability

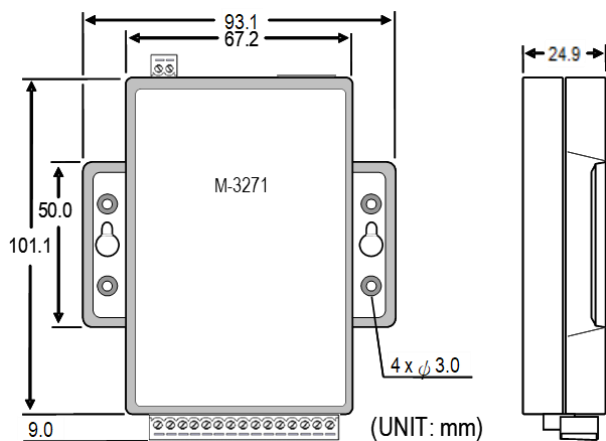
MTBF (mean time between failures)	
-----------------------------------	--

• Warranty

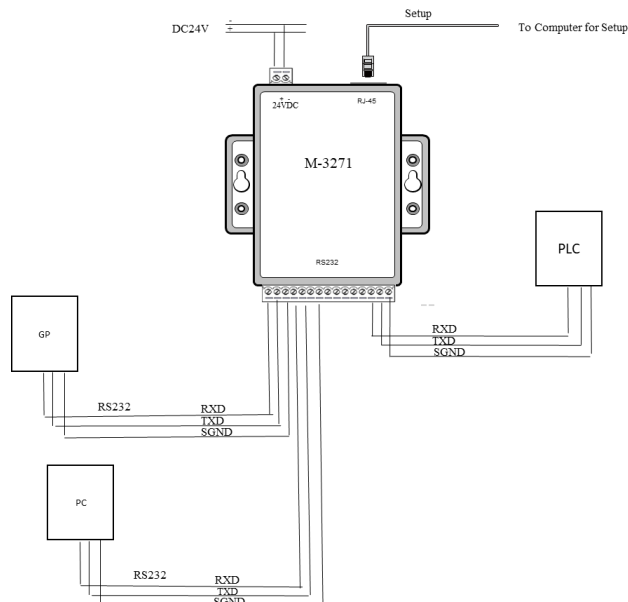
Warranty Period	1 year
-----------------	--------

Details	See http://www.infosystem.com.tw
---------	---

● Dimension



● **Connection**



● **Configuration**

- Web Browser
- Setup tool

● **Installation**

- Wall Mount
- Din Rail (Optional Din Rail Kit)