

● M3280: 3 Port Serial to Ethernet Multiplexer Gateway, RS485 x2, RS232x1



Order Information:

Model No.: M3280

● FEATURES

➤ Protocol Support

ARP, ICMP, TCP, UDP, IP, DHCP Client,  
HTTP,SNMP(Optional),SNTP(Optional), Modbus TCP, Modbus RTU

➤ Support Interface

RJ-45 Port x1, 10/100Mbps, 2KV, Auto MDI/MDIX  
RS-232 Port x1 up to 921.6Kbps, RTS/CTS H/W low control \*  
RS-485/RS-422 x1, up to 921.6Kbps,Half Duplex for RS485, Full Duplex  
for RS-422 \*

➤ Setting

Use HTTP, Browser for Setting

➤ Security

Setup Login in Password Protect  
Access Password Protect  
Firmware Upgradeable  
Support New Version Firmware Upgradeable

➤ Low Power Consumption

Less than 2W Power Consumption

➤ Multi Sockets

Support Multit Sockets, and HTTP  
All protocol working Independent and concurrently

➤ High Reliability

RTOS inside, Build in Watchdog, Power Good, Software Watchdog  
Working 24Hours per day

➤ Low Cost

● APPLICATIONS

PLC and GP Interface Multiplexer  
IoT Data Collection

● GENERAL DESCRIPTIONS

M3280 is RS485 to Ethernet Multiplexer Gateway using the ARM Cortex M3's family microprocessor as the Ethernet controller to be a RS232 to Ethernet controller with limit devices. It can provide you lower cost, but limited functions TCP/IP stack. M3280 series are using the state machine to handle TCP/IP stack because of the limit resources.

M3280 is a small size and low cost module is easy to implement an application in IA, Automatic, Security and any low data rate data transmission as a coprocessor. M3280 supports the ARP, ICMP, TCP, UDP, IP, DHCP-Client and HTTP protocols, also support SNMP(Optional), SNTP(Optional). You can use the browser to setting parameters of the M3280, or you can use the commands to setting parameters of the M3280 series Web Server. It is easy to management in Individual or via Application software.

● **SPECIFICATION**

• **Ethernet Interface**

|                                  |                            |
|----------------------------------|----------------------------|
| Protocol                         | Modbus TCP                 |
| Number of Ports                  | 1                          |
| Speed                            | 10/100 Mbps, Auto MDI/MDIX |
| Connector                        | 8-pin RJ45                 |
| Transformer Isolation Protection | 1500Vrms                   |

• **Serial Interface**

|                               |                                  |
|-------------------------------|----------------------------------|
| Protocol                      | Modbus RTU/ASCII Slave/Master    |
| Number of Ports               | 3                                |
| Serial Standards              | RS232 x1, RS485-2w x2            |
| Connectors                    | DB9 male, Terminal Block         |
| ESD Protection                | 15 kV for all signals            |
| RS-485 Data Direction Control | automatic data direction control |

• **Serial Communication Parameters**

|              |  |
|--------------|--|
| Data Bits    | 7, 8   |
| Stop Bits    | 1, 2   |
| Parity       | None, Even, Odd, Space, Mark                         |
| Flow Control | RTS/CTS, DTR/DSR (RS-232 only)                       |
| Baud rate    | 300 bps to 921.6 kbps, option to 50 bps ~ 921.6 kbps |

• **Serial Signals**

|           |  |
|-----------|--|
| RS-232    | TxD, RxD, RTS, CTS, DTR, DSR, DCD, GND |
| RS-422    | Tx+, Tx-, Rx+, Rx-                     |
| RS-485-2w | Data+, Data-                           |

• **Software**

Configuration Options HTTP Web Console, Windows Setup Utility

Utilities Setup Utility for Windows

**• Physical Characteristics**

Housing PC ,

Weight 300 g

Dimensions Without ears:  
 33 x 80 x 102 mm  
 With ears:  
 33 x 94 x 102 mm

**• Environmental Limits**

Operating Temperature -20 to 60°C

Storage Temperature -40 to 85 °C (-40 to 185°F)

Ambient Relative Humidity 5 to 95% (non-condensing)

Altitude Up to 2000 m (795 hPa), higher altitudes on demand

Note

**• Power Requirements**

Input Voltage 12 to 30 VDC, No Polarity

Power Connector Terminal block

Power Consumption 110 mA @ DC24V

Isolation 2KV

**• Standards and Certifications**

EMC CE

**• Reliability**

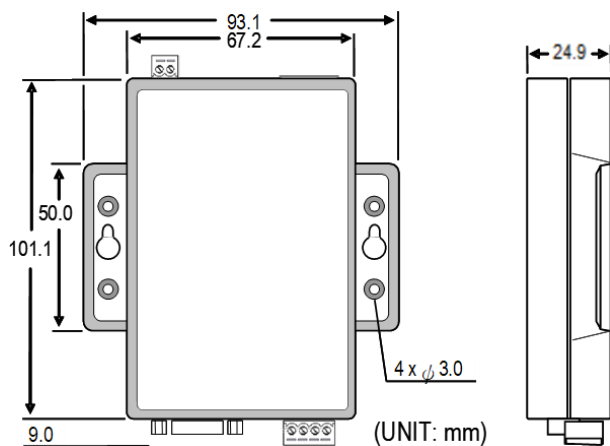
MTBF (mean time between failures)

**• Warranty**

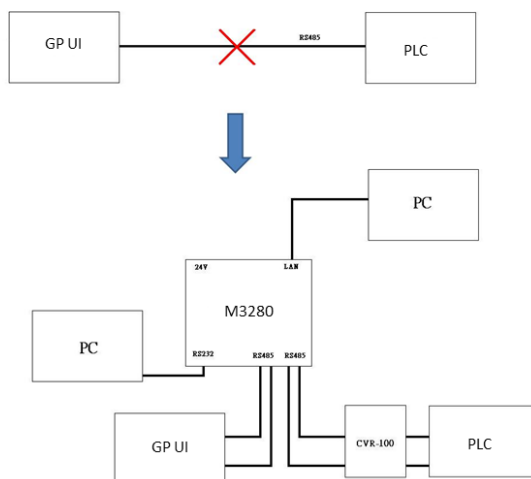
Warranty Period 1 year

Details See <http://www.infosystem.com.tw>

**● Dimension**



● **Connection**



● **Configuration**

- Web Browser
- Setup tool

● **Installation**

- Wall Mount
- Din Rail (Optional Din Rail Kit)