

● SIO-D-310ML-4B: 4Push Button , 10DI / 8DO RS485 I/O Module



Order Information:

Model No.: SIO-D-310M-4B

● FEATURES

- 10DI Sink 型，光耦合器隔離輸入，適用於乾接點型輸入
- 8DO Open Collector 型，光耦合器開集極輸出，推動電流 0.5A，瞬間最大電流 1A
- 輸入及輸出均有 LED 燈號顯示
- 4 輸入按鈕，可測試輸出訊號 其中 (DO1, DO2)一組，(DO3,DO4)一組，(DO5,DO6)一組，(DO7,DO8)一組，每組的動作，以(DO1,DO2)為例，當按壓時先是 DO1 為 ON PULSE(3 Sec)，DO2 為 OFF，再按一次時 DO1 為 OFF，DO2 為 ON PULSE，輸出動作可以被記憶在記憶體中
- 提供 Modbus RTU/ASCII 協議，自動偵測 Modbus RTU/ASCII 協議模式
- 2 個 RS485，可以提供中繼功能(Repeater)
- Modbus ID 使用 8 Bit DIP Switch 設定，不必使用軟體工具設定，方便現場施工安裝
- 鮑率設定，使用 2Bit DIP Switch 設定，可選擇 4 種鮑率 9600, 19200, 38400, 57600，其它鮑率可以使用軟體設定
- 輸出動作可以被記憶在記憶體中，送電後可選擇自動回復斷電前輸出的狀態

● GENERAL DESCRIPTIONS

SIO-D-3xx Series, included SIO-D-310ML, SIO-D-318ML, SIO-D-302ML, are the RS485 I/O using the ARM Cortex M3's family microprocessor as the RS485 I/O controller with limit devices. It can provide you lower cost, and useful distributed I/O module. The configuration of SIO-D-3xx is using the console mode and DIP Switch for the Modus ID setting.

● APPLICATIONS

- Input Detector
- Output Control
- Lighting Control
- Emergency Help Request System
- Automatic Control
- Machine Control
- Alarm System
- Security System

There are 10DI/8DO offered by the SIO-D-310ML, 18DI offered by the SIO-D-318ML, 2DI/16DO offered by the SIO-D-302ML. Each input or output of the SIO-D-3xx series is isolated with photo coupler. Here provided the good operation quality for the applications.

● **SPECIFICATION**

• **Digital Input**

Input Type	Sink Type, for Dry Contact
Number of Input	10
Input Low	0~3VDC
Input High	5~30VDC
Photo Coupler Isolation Protection	3750Vrms or 5000Vrms

• **Digital Output**

Output Type	Open Collector
Number of Output	8
Maximum Voltage	50VDC
Maximum Current	500mA
Photo Coupler Isolation Protection	3750Vrms or 5000Vrms

• **Modbus Address**

Modbus Setting	8 Pin DIP Switch
----------------	------------------

• **Serial Interface**

Protocol	Modbus RTU/ASCII Slave
Number of Ports	1
Serial Standards	RS485-3w x1
Connectors	Terminal Block
ESD Protection	15 kV for all signals
RS-485 Data Direction Control	automatic data direction control
Photo Coupler Isolation Protection	UL recognized: 3750 VAC for 1 min. per U.L.

• **Serial Communication Parameters**

Data Bits	7, 8
-----------	------

Stop Bits	1, 2
Parity	None, Even, Odd, Space, Mark
Flow Control	RTS/CTS, DTR/DSR (RS-232 only)
Baudrate	300 bps to 115.2 kbps, option to 50 bps ~ 921.6 kbps

• Serial Signals

RS-485-3w	Data+, Data-, SGND
-----------	--------------------

• Software

Configuration Options	Terminal
-----------------------	----------

• Physical Characteristics

Housing	PC (polycarbonate)
Weight	300 g
Dimensions	Without ears:
	25 x 80 x 102 mm
	With ears:
	25 x 94 x 102 mm

• Environmental Limits

Operating Temperature	0 to 60°C (32 to 140°F)
Storage Temperature	-40 to 85 °C (-40 to 185°F)
Ambient Relative Humidity	5 to 95% (non-condensing)
Altitude	Up to 2000 m (795 hPa), higher altitudes on demand

Note

• Power Requirements

Input Voltage	12 to 36 VDC
Power Connector	Terminal block
Power Consumption	60 mA @ DC24V
Isolation	1500Vrms

• Standards and Certifications

EMC	CE
-----	----

• Reliability

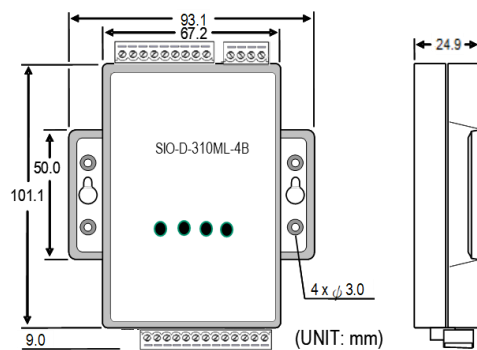
MTBF (mean time between failures)

• **Warranty**

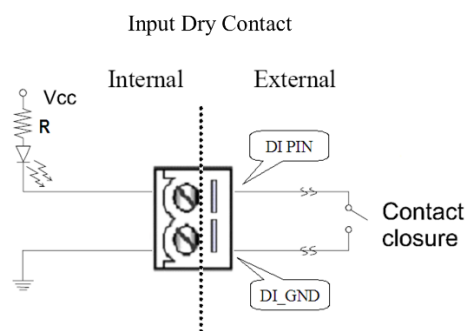
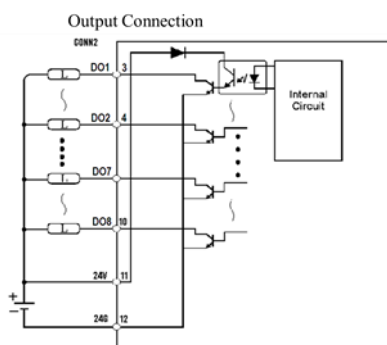
Warranty Period 1 year

Details See <http://www.infosystem.com.tw>

● **Dimension**



● **Connection**



● **Configuration**

- RS485 Console Setting
- DIP Switch for Modbus ID

● **Installation**

- Wall Mount
- Din Rail (Optional Din Rail Kit)