

● **SIO-D-318ML: 18DI RS485 I/O Module**



Order Information:

Model No.: SIO-D-318ML

● **FEATURES**

➤ **Protocol Support**

Modbus RTU/ASCII

➤ **Support Interface**

RS485 up to 1152.kbps

18DI: Sink Type, Photo coupler Isolation

➤ **Setting**

Console Mode Setting

DIP Switch for Modbus ID

➤ **Security**

Setup Login in Password Protect

Access Password Protect

Firmware Upgradeable

Support New Version Firmware Upgradeable

➤ **Low Power Consumption**

Less than 2W Power Consumption

➤ **High Reliability**

RTOS inside, Build in Watchdog, Power Good, Software Watchdog

Working 24Hours per day

➤ **Low Cost**

● **GENERAL DESCRIPTIONS**

SIO-D-3xx Series, included SIO-D-310ML, SIO-D-318ML, SIO-D-302ML, are the RS485 I/O using the ARM Cortex M3's family microprocessor as the RS485 I/O controller with limit devices. It can provide you lower cost, and useful distributed I/O module. The configuration of SIO-D-3xx is using the console mode and DIP Switch for the Modus ID setting.

● **APPLICATIONS**

Input Detector

Output Control

Lighting Control

Emergency Help Request System

Automatic Control

Machine Control

Alarm System

Security System

There are 10DI/8DO offered by the SIO-D-310ML, 18DI offered by the SIO-D-318ML, 2DI/16DO offered by the SIO-D-302ML. Each input or output of the SIO-D-3xx series is isolated with photo coupler. Here provided the good operation quality for the applications.

● **SPECIFICATION**

• **Digital Input**

Input Type	Sink Type, for Dry Contact
Number of Input	18
Input Low	0~3VDC
Input High	5~30VDC
Photo Coupler Isolation Protection	3750Vrms or 5000Vrms

• **Modbus Address**

Modbus Setting	8 Pin DIP Switch
----------------	------------------

• **Serial Interface**

Protocol	Modbus RTU/ASCII Slave
Number of Ports	1
Serial Standards	RS485-3w x1
Connectors	Terminal Block
ESD Protection	15 kV for all signals
RS-485 Data Direction Control	automatic data direction control
Photo Coupler Isolation Protection	UL recognized: 3750 VAC for 1 min. per U.L.

• **Serial Communication Parameters**

Data Bits	7, 8
Stop Bits	1, 2
Parity	None, Even, Odd, Space, Mark
Flow Control	RTS/CTS, DTR/DSR (RS-232 only)
Baudrate	300 bps to 115.2 kbps, option to 50 bps ~ 921.6 kbps

• **Serial Signals**

RS-485-3w	Data+, Data-, SGND
-----------	--------------------

• **Software**

Configuration Options	Terminal
-----------------------	----------

• Physical Characteristics

Housing	PC (polycarbonate)
Weight	300 g
Dimensions	Without ears:
	25 x 80 x 102 mm
	With ears:
	25 x 94 x 102 mm

• Environmental Limits

Operating Temperature	0 to 60°C (32 to 140°F)
Storage Temperature	-40 to 85 °C (-40 to 185°F)
Ambient Relative Humidity	5 to 95% (non-condensing)
Altitude	Up to 2000 m (795 hPa), higher altitudes on demand

Note

• Power Requirements

Input Voltage	12 to 36 VDC
Power Connector	Terminal block
Power Consumption	60 mA @ DC24V
Isolation	1500Vrms

• Standards and Certifications

EMC	CE
-----	----

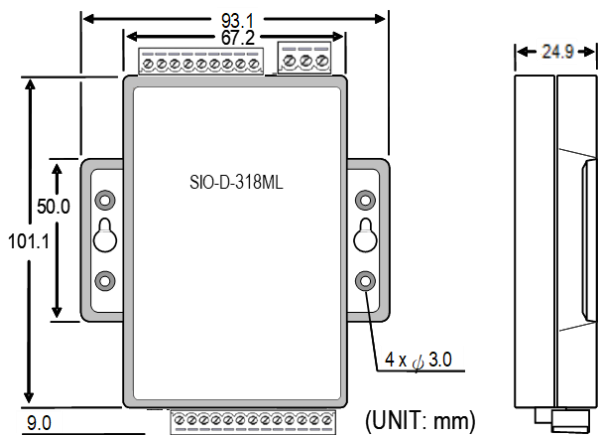
• Reliability

MTBF (mean time between failures)

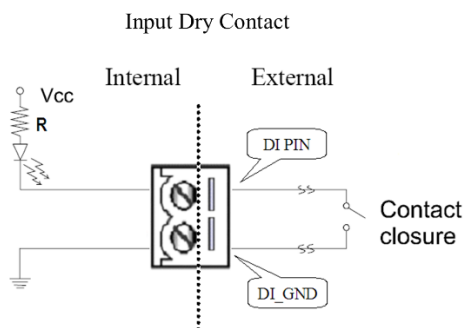
• Warranty

Warranty Period	1 year
Details	See www.infosystem.com.tw

● Dimension



- **Connection**



- **Configuration**

RS485 Console Setting
DIP Switch for Modbus ID

- **Installation**

Wall Mount
Din Rail (Optional Din Rail Kit)