

● **UDPNET-11: 1 Port Serial to UDP Gateway, Settable UDP Destination or UDP Broadcast**



Order Information:

Model No.: UdpNet-11

● **FEATURES**

➤ **Data Transferred Mode**

By UDP , Settable UDP Destination or UDP Broadcast

➤ **Protocol Support**

ARP, ICMP, TCP, UDP, IP, DHCP Client, HTTP,
SNMP(Optional),SNTP(Optional), Modbus TCP, Modbus RTU

➤ **Support Interface**

RJ-45 Port x1, 10/100Mbps, 2KV, auto MDI/MDIX
RS-232 Port x1 up to 921.6Kbps, RTS/CTS H/W low control *
RS-485/RS-422 x1, up to 921.6Kbps ,Half Duplex for RS485, Full Duplex
for RS-422 *

➤ **Setting**

Use HTTP, Browser for Setting

➤ **Security**

Setup Login in Password Protect
Access Password Protect
Firmware Upgradeable
Support New Version Firmware Upgradeable

➤ **Low Power Consumption**

Less than 2W Power Consumption

➤ **High Reliability**

RTOS inside, Build in Watchdog, Power Good, Software Watchdog
Working 24Hours per day

➤ **Low Cost**

● **GENERAL DESCRIPTIONS**

WS-130 Series included UDPNET-11, WS-131, WS-132, WS-133, UDPNET-11B, WS-132B, WS-133B, are the Web Server using the ARM Cortex M3's family microprocessor as the Ethernet controller to be a RS232 to Ethernet controller with limit devices. It can provide you lower cost, but limited functions TCP/IP stack. WS-130 series are using the state machine to handle TCP/IP stack because of the limit resources.

WS-130 is a small size and low cost module is easy to implement an application in IA, Automatic, Security and any low data rate data transmit ion as a coprocessor. WS-130 supports the ARP, ICMP, TCP, UDP, IP, DHCP-Client and HTTP protocols support SNMP (Optional), SNTP (Optional). You can use the browser to setting parameters of the WS-130, or you can use the

● **APPLICATIONS**

Data collection & security terminals:

Access Control Terminals

Security Devices

Time Recorders

Warehouse Terminals

Shop floor automation Terminals

Remote Sensors & Meters:

Power monitors

Power meters

Environmental monitors

Temperature monitors

Data loggers

Auto-ID Scanners:

Barcode Scanners

Magnetic Card Readers

commands to setting parameters of the WS-130 series Web Server. It is easy to management in Individual or via Application software.

● **SPECIFICATION**

• **Ethernet Interface**

Protocol	UDP
Number of Ports	1
Speed	10/100 Mbps, Auto MDI/MDIX
Connector	8-pin RJ45
Transformer Isolation Protection	1500Vrms

• **Serial Interface**

Protocol	Data Transferred by UDP Packet , Broadcast or Settable Destination, Modbus RTU/ASCII Slave/Master
Number of Ports	UDPNET-11: 1
Serial Standards	UDPNET-11: RS-232/422/485-2w, software selectable
Connectors	DB9 male, Terminal Block
ESD Protection	15 kV for all signals
RS-485 Data Direction Control	automatic data direction control

• **Serial Communication Parameters**

Data Bits	7, 8
Stop Bits	1, 2
Parity	None, Even, Odd, Space, Mark
Flow Control	RTS/CTS, DTR/DSR (RS-232 only)
Baud rate	300 bps to 921.6 kbps, option to 50 bps ~ 921.6 kbps

• **Serial Signals**

RS-232	TxD, RxD, RTS, CTS, DTR, DSR, DCD, GND
RS-422	Tx+, BTx-, Rx+, Rx-
RS-485-2w	Data+, Data-

• Software

Configuration Options HTTP Web Console, Windows Setup Utility

Utilities Setup Utility for Windows

• Physical Characteristics

Housing PC ,

Weight 300 g

Dimensions Without ears:
 33 x 80 x 102 mm
 With ears:
 33 x 94 x 102 mm

• Environmental Limits

Operating Temperature 0 to 60°C (32 to 140°F)

Storage Temperature -40 to 85 °C (-40 to 185°F)

Ambient Relative Humidity 5 to 95% (non-condensing)

Altitude Up to 2000 m (795 hPa), higher altitudes on demand

Note

• Power Requirements

Input Voltage 12 to 30 VDC, No Polarity

Power Connector Terminal block

Power Consumption 110 mA @ DC24V

Isolation 2KV

• Standards and Certifications

EMC CE

• Reliability

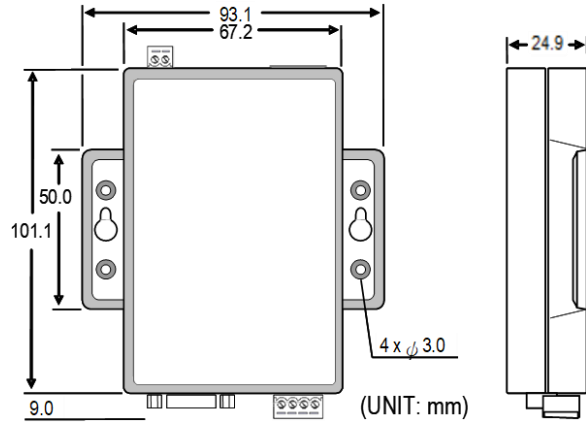
MTBF (mean time between failures)

• Warranty

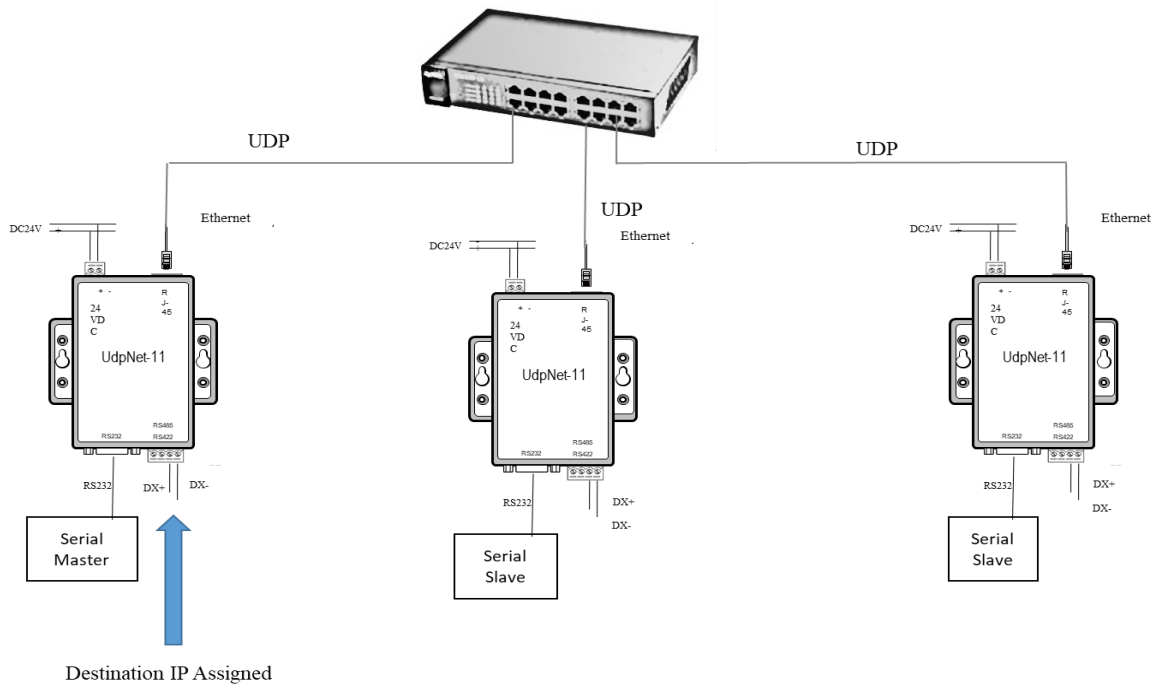
Warranty Period 1 year

Details See <http://www.infosystem.com.tw>

● Dimension



● Connection



● Configuration

Web Browser or Setup tool

● Installation

Wall Mount

Din Rail (Optional Din Rail Kit)