

● **WS-171: DIN Rail Mount, 1 Port RS485 to Modbus TCP Gateway with 5 Ports Industrial Ethernet Switch, 10/100 Base-TX, Auto MDIX**



Order Information:

Model No.: WS-171

● **FEATURES**

- 1 Port RS485 Modbus RTU to Ethernet Modbus TCP Gateway
- Support TCP, UDP, IP, ICMP, HTTP, DHCP, SNMP(Optional), Modbus TCP, Modbus RTU
- RS485 Baud rate 300bps ~921.6kbps
- IEEE 802.3 10BASE-T/ IEEE 802.3u 100BASE-TX compatible
- 5 Ethernet Switch Ports
- Each port supports HP Auto-MDIX
- Support bandwidth, ingress and egress rate control on a per MAC port basis
- Per port support broadcast storming filter function for broadcast, multicast and unknown unicast packets Flow Control:
- Supports IEEE 802.3x Flow Control in full-duplex mode
- Supports Back Pressure Flow Control in half-duplex mode
- Industrial-temperature (-40°C ~ +75°C)
- DC 24V Power Input, Wide range power input :DC +10~48V
- DIN Rail Mount

● **APPLICATIONS**

- IoT Data Collection
- Factory Automation
- Building Automation

● **GENERAL DESCRIPTIONS**

WS-171 is RS485 to Ethernet Gateway using the ARM Cortex M3's family microprocessor as the Ethernet controller to be a Serial to Ethernet Gateway. WS-171 also support 5 Port RJ45 as a 5 Port Ethernet switch, it is easy to extent the Ethernet cable connected to next equipment, also it can be as a 10/100M Ethernet switch. WS-171 is a small size and low cost DIN Rail mount module, it is easy to implement an application in IA, Automatic, Security and any low data rate data transmission as a coprocessor. WS-171 supports the ARP, ICMP, TCP, UDP, IP, DHCP-Client and HTTP protocols,

also support SNMP(Optional) , SNTTP(Optional). You can use the browser to setting parameters of the WS-171, or you can use the commands to setting parameters of the WS-171 series Web Server. It is easy to management in Individual or via Application software.

● **SPECIFICATION**

• **Ethernet Interface**

Standards	IEEE 802.3, IEEE 802.3u
Number of Ports	5
Speed	10/100 Mbps, Auto MDI/MDIX
Connector	8-pin RJ45
Transformer Isolation Protection	1500Vrms

• **Serial Interface**

Protocol	Modbus RTU/ASCII Slave/Master
Number of Ports	WS-171: 1 Port RS485 WS-172: 2 Port RS485
Connectors	Terminal Block
ESD Protection	15 kV for all signals
RS-485 Data Direction Control	automatic data direction control

• **Serial Communication Parameters**

Data Bits	7, 8
Stop Bits	1, 2
Parity	None, Even, Odd, Space, Mark
Flow Control	-
Baud rate	300 bps to 921.6 kbps, option to 50 bps ~ 921.6 kbps

• **Serial Signals**

RS-485-2w	Data+, Data-
-----------	--------------

• **Physical Characteristics**

Housing	PC ,
Weight	300 g

Dimensions 99 x 72 x 32.75 (L x W x H) mm

• Environmental Limits

Operating Temperature -40 to 75°C

Storage Temperature -40 to 85 °C (-40 to 185°F)

Ambient Relative Humidity 5 to 95% (non-condensing)

Altitude Up to 2000 m (795 hPa), higher altitudes on demand

Note

• Power Requirements

Input Voltage 10 to 60 VDC

Power Connector Terminal block

Power Consumption 110 mA @ DC24V

Isolation -

• Standards and Certifications

EMC CE

• Reliability

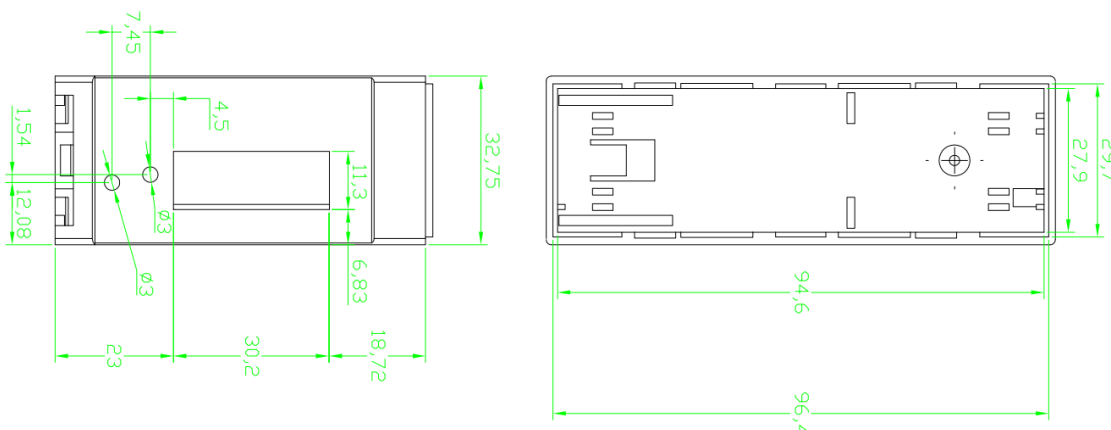
MTBF (mean time between failures)

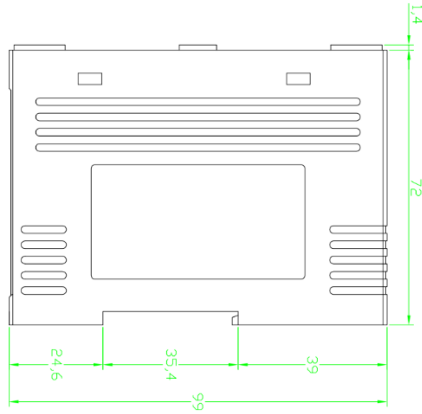
• Warranty

Warranty Period 3 year

Details See <http://www.infosystem.com.tw>

● Dimension





- **Connection**
- **Configuration**
- **Installation**
Din Rail