

● **WS-1550: Full Isolated 5 Port RS485 to Ethernet or Modbus Gateway, RS485 x5**



Order Information:

Model No.: WS-1550

● **FEATURES**

➤ **Protocol Support**

ARP, ICMP, TCP, UDP, IP, DHCP Client,  
 HTTP,SNMP(Optional),SNTP(Optional), Modbus TCP, Modbus RTU

➤ **Support Interface**

RJ-45 Port x1, 10Mbps, 2KV , 400W TVS Protection  
 RS-485, up to 921.6Kbps,Half Duplex for RS485, Full Isolated

➤ **Setting**

Use HTTP, Browser for Setting

➤ **Security**

Setup Login in Password Protect  
 Access Password Protect  
 Firmware Upgradeable  
 Support New Version Firmware Upgradeable

➤ **Low Power Consumption**

Less than 2W Power Consumption

➤ **Multi Sockets**

Support Multit Sockets and HTTP  
 All protocol working Independent and concurrently

➤ **High Reliability**

RTOS inside, Build in Watchdog, Power Good, Software Watchdog  
 Working 24Hours per day

➤ **Low Cost**

● **APPLICATIONS**

Data collection & security terminals:

Access Control Terminals

Security Devices

Time Recorders

Warehouse Terminals

Shop floor automation Terminals

Remote Sensors & Meters:

Power monitors

Power meters

Environmental monitors

Temperature monitors

Data loggers

Auto-ID Scanners:

Barcode Scanners

Magnetic Card Readers

● **GENERAL DESCRIPTIONS**

WS-1500 Series, included WS-1530, WS-1540, WS-11550, are the Web Server using the ARM Cortex M3's family microprocessor as the Ethernet controller to be a RS485 to Ethernet controller with limit devices. It can provide you lower cost, but limited functions TCP/IP stack. WS-1500 series are using the state machine to handle TCP/IP stack because of the limit resources.

WS-1500 is a small size and low cost module is easy to implement an application in IA, Automatic, Security and any low data rate data transmit ion as a coprocessor. WS-1500 supports the ARP, ICMP, TCP, UDP, IP, DHCP-Client and HTTP protocols, also support SNMP(Optional) , SNTP(Optional).

You can use the browser to setting parameters of the WS-1500, or you can use the commands to setting parameters of the WS-1500 series Web Server. It is easy to management in Individual or via Application software.

● **SPECIFICATION**

• **Ethernet Interface**

Protocol	Modbus TCP
Number of Ports	1
Speed	10/100 Mbps, Auto MDI/MDIX
Connector	8-pin RJ45
Transformer Isolation Protection	1500Vrms

• **Serial Interface**

Protocol	Modbus RTU/ASCII Slave/Master
Number of Ports	5
Serial Standards	RS485
RS485 TVS Protection	Working Voltage: 5.0 to 440 V Peak Pulse Power: 400 W Glass passivated chip Low leakage Uni and Bidirectional unit except Bipolar 400 W peak pulse power capability with a 10/1000 $\mu$ s waveform, repetitive rate (duty cycle):0.01 % Very fast response time
Connectors	Terminal Block
ESD Protection	15 kV for all signals
RS-485 Data Direction Control	automatic data direction control

• **Serial Communication Parameters**

Data Bits	7, 8
Stop Bits	1, 2

Parity	None, Even, Odd, Space, Mark
--------	------------------------------

Flow Control	-
--------------	---

Baud rate	300 bps to 921.6 kbps, option to 50 bps ~ 921.6 kbps
-----------	--

**• Serial Signals**

RS-232	-
--------	---

RS-422	-
--------	---

RS-485-2w	Data+, Data-
-----------	--------------

**• Software**

Configuration Options	HTTP Web Console, Windows Setup Utility
-----------------------	---

Utilities	Setup Utility for Windows
-----------	---------------------------

**• Physical Characteristics**

Housing	PC ,
---------	------

Weight	300 g
--------	-------

Dimensions	Without ears:
	33 x 80 x 102 mm
	With ears:
	33 x 94 x 102 mm

**• Environmental Limits**

Operating Temperature	0 to 60°C (32 to 140°F)
-----------------------	-------------------------

Storage Temperature	-40 to 85 °C (-40 to 185°F)
---------------------	-----------------------------

Ambient Relative Humidity	5 to 95% (non-condensing)
---------------------------	---------------------------

Altitude	Up to 2000 m (795 hPa), higher altitudes on demand
----------	--

Note	
------	--

**• Power Requirements**

Input Voltage	12 to 30 VDC, No Polarity
---------------	---------------------------

Power Connector	Terminal block
-----------------	----------------

Power Consumption	110 mA @ DC24V
-------------------	----------------

Isolation	2KV
-----------	-----

**• Standards and Certifications**

EMC	CE
-----	----

• **Reliability**

---

MTBF (mean time between failures)

---

• **Warranty**

---

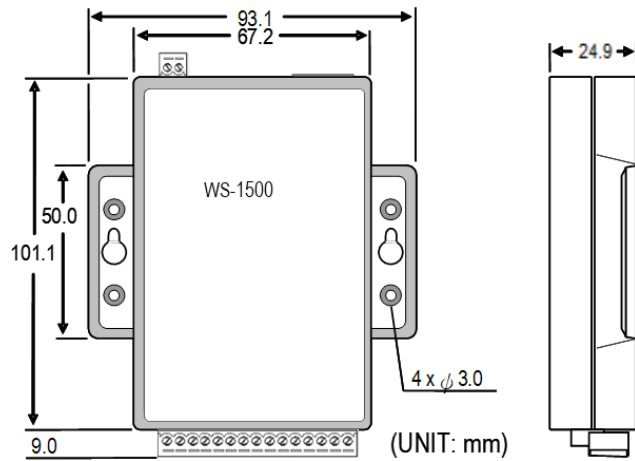
Warranty Period	1 year
-----------------	--------

---

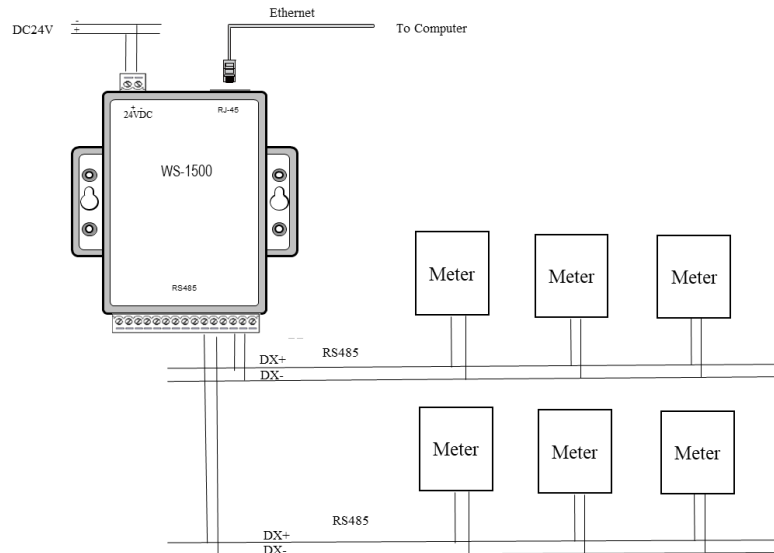
Details	See <a href="http://www.infosystem.com.tw">http://www.infosystem.com.tw</a>
---------	---

---

● **Dimension**



● **Connection**



● **Configuration**

Web Browser or Setup tool

● **Installation**

Wall Mount

Din Rail (Optional Din Rail Kit)