

● **ZS-420: Zigbee to RS232/RS422/RS485 Coordinator**



Order Information:

Model No.: ZS-420

● **FEATURES**

- Zigbee 2007 stack, 802.15.4
- RJ-45 Port x1, 10/100Mbps, 2KV, auto MDI/MDIX
- RS-232 Port x1 up to 921.6Kbps, RTS/CTS H/W low control \*, RS-485/RS-422 x1, up to 921.6Kbps ,Half Duplex for RS485, Full Duplex for RS-422 \*
- RF Bias: 3.0V~3.6V Sleep current: 3 uA, Effective Distance: 1000 meters (line of sight, environment dependent, typical) Rx Sensitivity: -101dBm, typical Tx Output Power: 19dBm, typical Tx Current Consumption: 180mA, typical Rx Current Consumption: 34mA, typical
- Setup Tool to setup the PAN ID , RF channel and UART baudrate
- Security AES-128
- RTOS inside, Build in Watchdog, Power Good, Software Watchdog Working

● **APPLICATIONS**

- Data collection & security terminals:
- Access Control Terminals
- Security Devices
- Time Recorders
- Warehouse Terminals
- Shop floor automation Terminals
- Remote Sensors & Meters:
- Power monitors
- Power meters
- Environmental monitors
- Temperature monitors
- Data loggers
- Auto-ID Scanners:
- Barcode Scanners
- Magnetic Card Readers

● **GENERAL DESCRIPTIONS**

ZS-430 Series, included ZS-430, Zs-420, ZS-421 are using the ARM Cortex M3's family microprocessor as the Zigbee to Ethernet or to RS232/RS485/RS422 gateway with limit devices. It can provide you lower cost, but limited functions TCP/IP stack. ZS-430 Series is a small size and low cost module is easy to implement an application in IA, Automatic,

Security and any low data rate data transmit ion as a coprocessor. ZS-430 supports the ARP, ICMP, TCP, UDP, IP, DHCP-Client and HTTP protocols, also support SNMP(Optional) , Sntp(Optional). You can use the browser to setting parameters of the ZS-430 series, or you can use the commands to setting parameters of the ZS-430 series. It is easy to management in Individual or via Application software.

● **SPECIFICATION**

• **Ethernet Interface**

Protocol	-
Number of Ports	-
Speed	-
Connector	-
Transformer Isolation	
Protection	-

• **Serial Interface**

Protocol	Modbus RTU/ASCII Slave/Master
Number of Ports	1
Serial Standards	RS-232/422/485-2w, software selectable
Connectors	DB9 male, Terminal Block
ESD Protection	15 kV for all signals
RS-485 Data Direction Control	automatic data direction control

• **Serial Communication Parameters**

Data Bits	7, 8
Stop Bits	1, 2
Parity	None, Even, Odd, Space, Mark
Flow Control	RTS/CTS, DTR/DSR (RS-232 only)
Baud rate	300 bps to 921.6 kbps, option to 50 bps ~ 921.6 kbps

• **Serial Signals**

RS-232	TxD, RxD, RTS, CTS, DTR, DSR, DCD, GND
RS-422	Tx+, Tx-, Rx+, Rx-
RS-485-2w	Data+, Data-

• **RF**

Frequency	2405(min)	2480(max)	MHz
TX Current consumption	(Pout =19 dBm)	180	mA

RX Current consumption	34 mA
TX Output power	Pout(UZ2400)= -10dBm(min) 19dBm(min)
RX sensitivity	PER<=1% O-QPSk 250kbps, -101 dBm
Communication Range	Throughput >120kbps at 250kbps data rate, LOS 1000 m

**• Software**

Configuration Options	HTTP Web Console, Windows Setup Utility
Utilities	Setup Utility for Windows

**• Physical Characteristics**

Housing	PC ,
Weight	300 g
Dimensions	Without ears: 33 x 80 x 102 mm
	With ears: 33 x 94 x 102 mm

**• Environmental Limits**

Operating Temperature	0 to 60°C (32 to 140°F)
Storage Temperature	-40 to 85 °C (-40 to 185°F)
Ambient Relative Humidity	5 to 95% (non-condensing)
Altitude	Up to 2000 m (795 hPa), higher altitudes on demand

Note

**• Power Requirements**

Input Voltage	12 to 30 VDC, No Polarity
Power Connector	Terminal block
Power Consumption	110 mA @ DC24V
Isolation	2KV

**• Standards and Certifications**

EMC	CE
-----	----

**• Reliability**

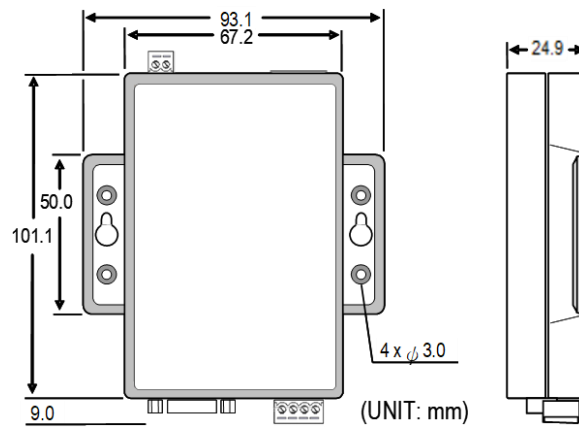
MTBF (mean time between failures)

• **Warranty**

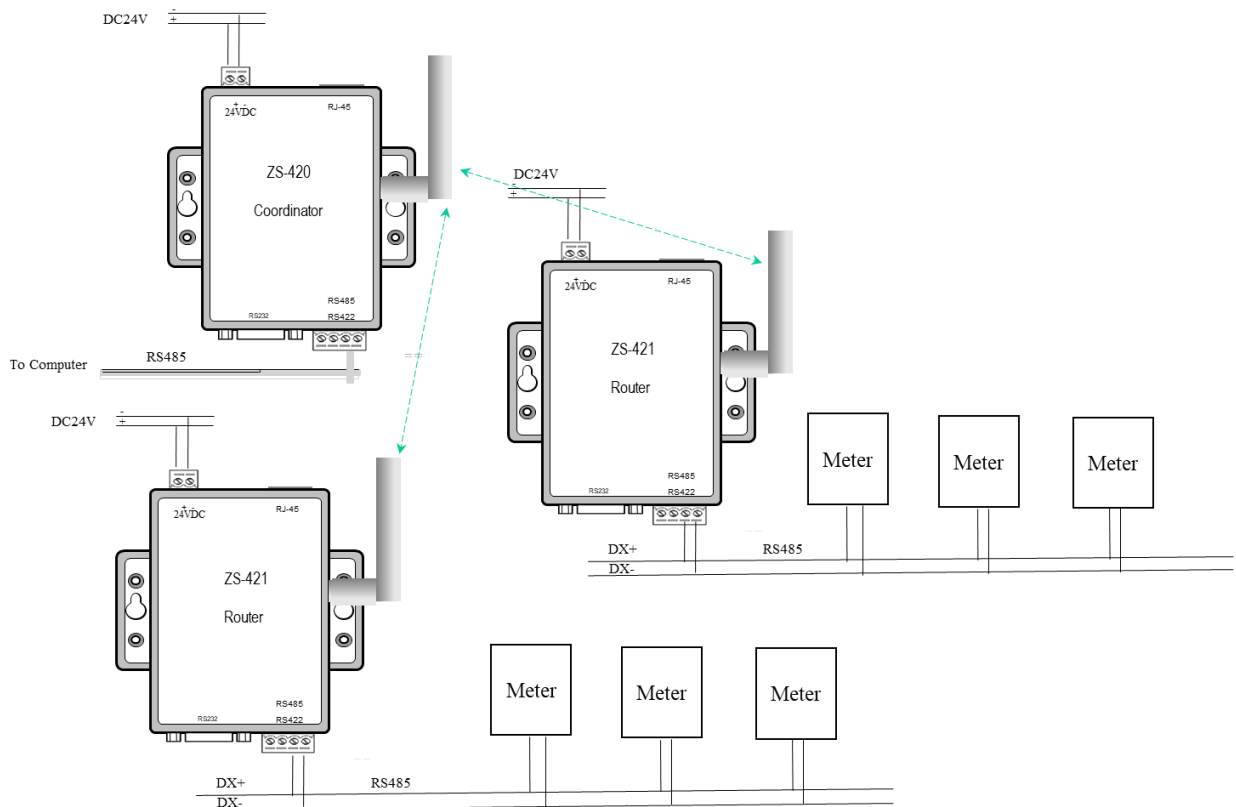
Warranty Period 1 year

Details See <http://www.infosystem.com.tw>

● **Dimension**



● **Connection**



- **Configuration**

Web Browser or Setup tool

- **Installation**

Wall Mount

Din Rail (Optional Din Rail Kit)